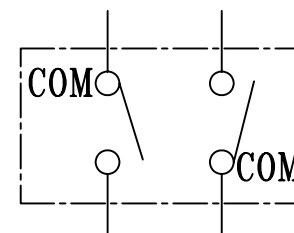
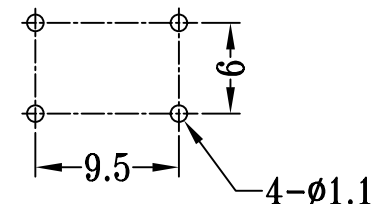
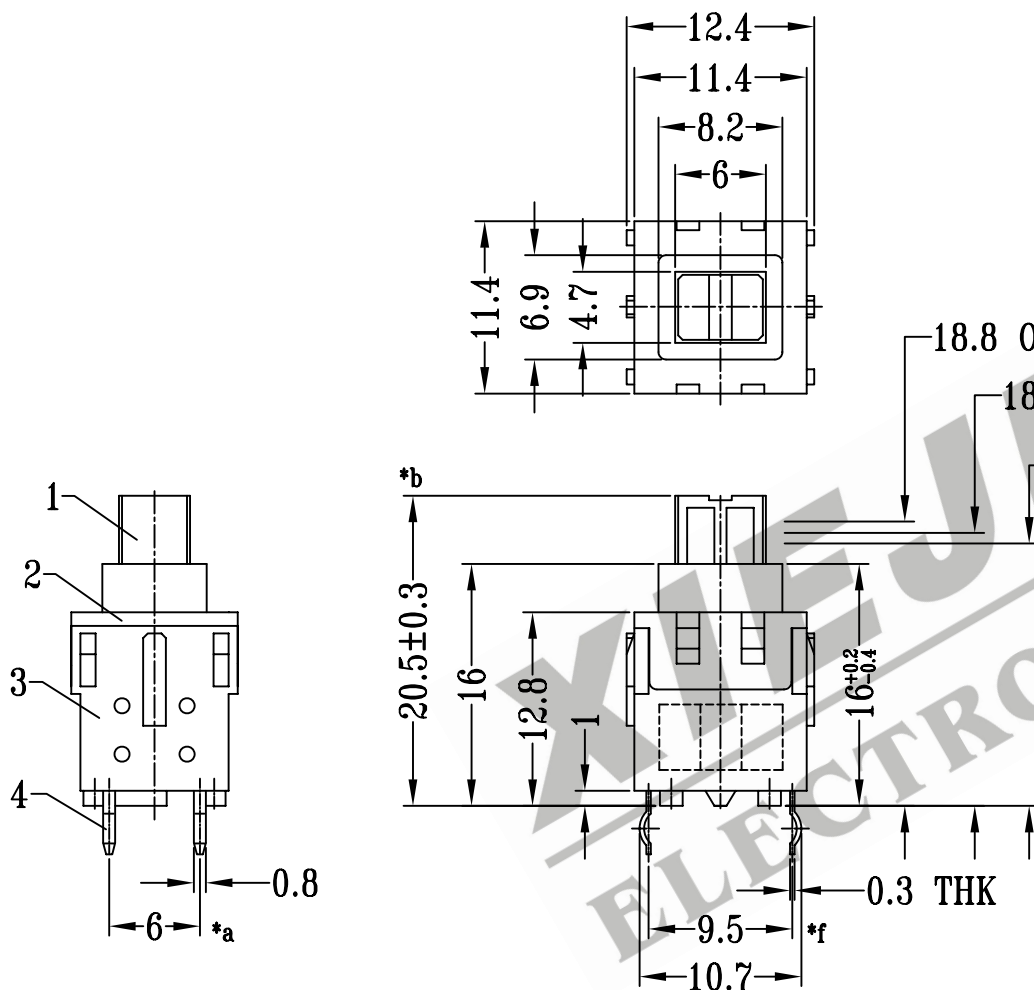


CAD FILE:



SCHMATIC



P.C.B LAYOUT

注:带“*”表示关键尺寸(6个)

| | | | | TOLERANCE | | SHENZHEN XIEJIA ELECTRONICS CO.,LTD. | | | | | |
|-----|-----------|----------------|------|--------------------------|---|--------------------------------------|------|--------------|----------------------------|-----------|-----------|
| | | | | UNLESS SPECIFIED | | | | | | | |
| | | | | WITHIN: 1.5±0.1mm | | ISSUE | DATE | DESCRIPTIONS | | | |
| | | | | OVER : 1.5±0.2mm | | | | APPD. | | | |
| 8 | | | | | | TITLE : VERTICAL PUSH SWITCH | | UNIT : MM | DRWG NO.: XJ-DR-PB22E33-00 | | |
| 7 | SPRING | SUS | 1 | TEMPER | | MODEL: PB-22E33 | | SCALE: 2 : 1 | DWN. | ZHOUYU | 2005-3-17 |
| 6 | CONTACT | PBS STRIP | 2 | Ag PLATED OVER Ni PLATED | | | | | CHK'D | FANGYING | 2005-3-17 |
| 5 | CAM STICK | SUS | 1 | WASHING | | | | | APPD. | KANGXINAN | 2005-3-17 |
| 4 | TERMINAL | PBS STRIP | 4 | Ag PLATED OVER Ni PLATED | | | | | | | |
| 3 | CASE | PBT+30%GLASS | 1 | BLACK | | | | | | | |
| 2 | COVER | PBT+30%GLASS | 1 | BLACK | | | | | | | |
| 1 | KNOB | NYLON+30%GLASS | 1 | BLACK | | | | | | | |
| NO. | PART NAME | MATERIAL | Q'TY | FINISHING | ALL MATERIALS MUST BE COMPLIANT TO ROHS | | | | | | |